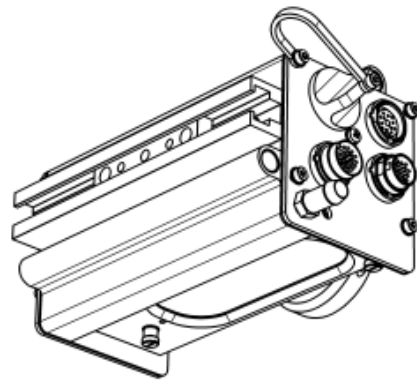


# SC15

## Scanner SC15

- Type of protection IP65
- Scanning angle 90° up to **1001 positions**
- Scanning speed up to **900°/s**
- Operating modes: Interface, Stand-Alone



## GENERAL SPECIFICATION

---

<b>Scanning angle:</b>	■ 90° (0 to ± 45°), up to 1001 positions
<b>Spectral response:</b>	■ 0.5 µm to 20 µm (specific windows)
<b>Emissivity:</b>	■ Angle-based emissivity adjustment
<b>Scanning speed:</b>	■ 1 ... 900°/s
<b>Step precision:</b>	■ < 0.014°
<b>Serial interface (configurable):</b>	■ RS232 (up to 230 kbps) or ■ RS485 (up to 921 kbps)
<b>Service interfaces:</b>	■ RS232 ■ USB 2.0 (for start-up and configuration)
<b>Operating voltage:</b>	■ Alternating voltage: 12 VAC (-10%) ... 24 VAC (+10%) ■ Direct voltage: 10.5 VDC ... 30 VDC
<b>Power consumption:</b>	■ ≤ 7 W
<b>Permissible ambient temperature:</b>	■ -20 ... 70 °C
<b>Permissible storage temperature:</b>	■ -20 ... 80 °C
<b>Type of protection:</b>	■ IP65 (IEC)
<b>Housing:</b>	■ Stainless steel, aluminium
<b>Air purge:</b>	■ Recommended air pressure: 0.3 ... 0.5 bar (oil-free and waterless air) ■ Airflow: 3 ... 5 m <sup>3</sup> /h
<b>Weight:</b>	■ 1.4 kg
<b>Software:</b>	■ ScanConfig: Software for parameter setting □ ScanPerfect: Software for parameter setting, Measurements are possible in connection with a HEITRONICS Infrared Radiation Thermometer

SC15

---

**RANGE OF FUNCTIONS**

---

**Digital input:** Controlling of Scanner  
Selection of parameter  
Start of measuring process

**Digital output:** Status of scanning process

---

**APPLICATIONS**

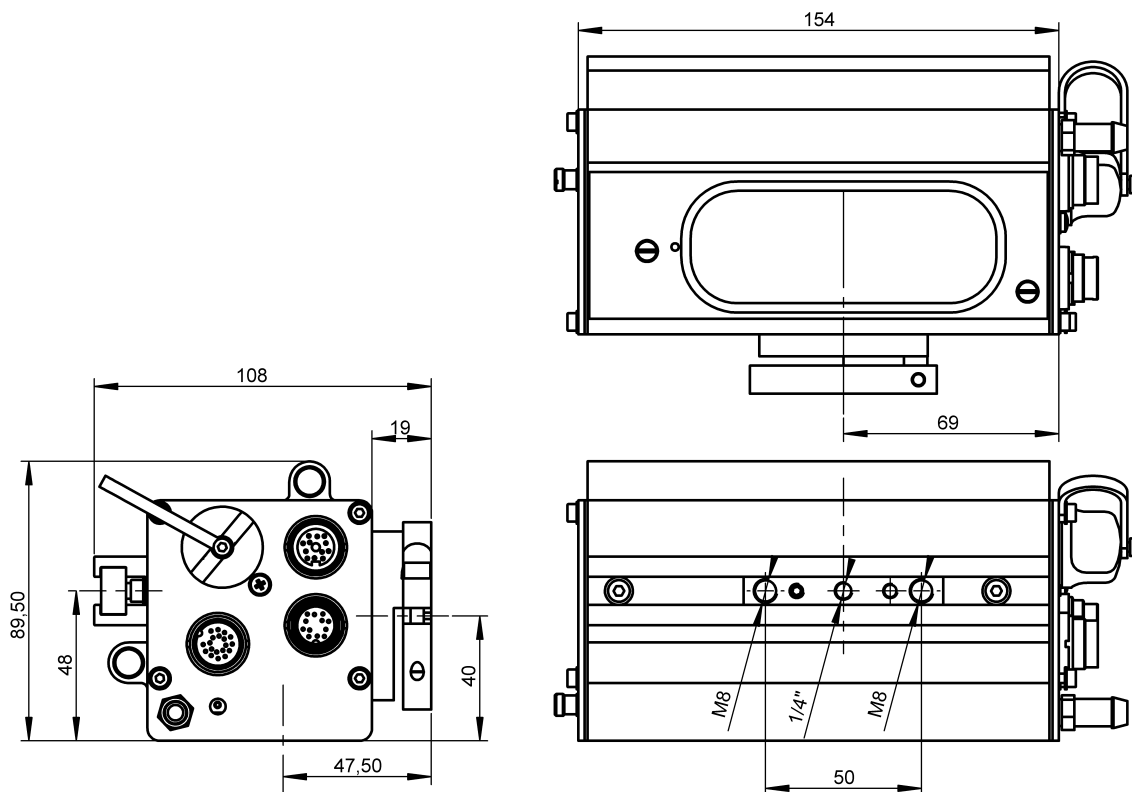
---

- Glass
- Paper
- Foil
- Iron
- Steel
- Brass
- etc.

---

**DIMENSIONS**

---



180 x 108 x 90 mm (l x w x h)

---

**ACCESSORIES**

---

On Demand