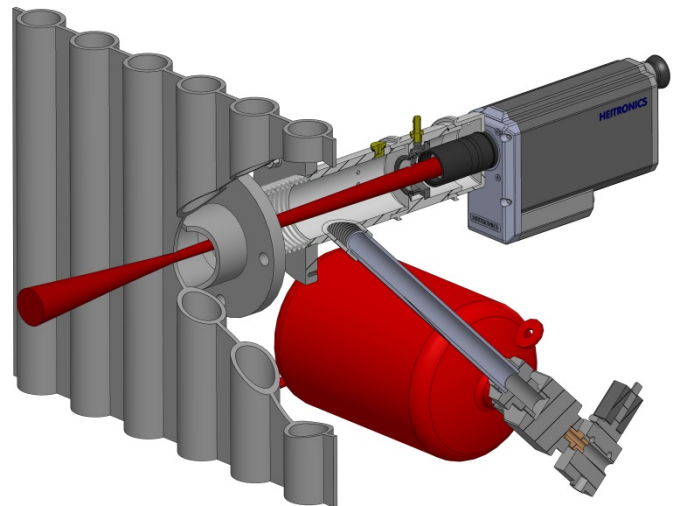


## Application Report

### Infrared Thermometer measures combustion gas using Focused High Precision Optics to simplify the installation

- The use of Infrared Radiation Thermometers ( also called *infrared pyrometers or IRTs* ) for combustion gas temperature requires a channel or view port with diameter larger than the field of view of the IRT. When installed on incinerators, the cooling tubes in the fin wall would typically be bent to create the opening.
- The requirement to bend the tubes can be avoided by creating a  $\geq 10$  mm hole between two tubes.
- IRTs measure combustion gas temperature fast and reliable



#### Advantages of HEITRONICS instruments:

- No bending of tubing when using focused high precision optics
- Heavy duty mountings with purged protective sapphire window, quick release mounting, air blast view port clearing and adjustable aiming flange
- Compact and rugged thermometer design
- Less maintenance and calibration required
- Stability of measurement performance proven for over 25 years

#### Configuration of Infrared Radiation Thermometer:

- Model: KT19.69 II
- Detector Type: C
- Optics: Lens S922 with Lens Spacer ZR2
- FOV: 4.6 mm @ 494 mm
- Adapter set: B4 L and B7 and B2J-LI

#### To be supplied by the customer:

- Hole in the fin wall with a diameter  $\geq 10$  mm
- Flange DIN 2573 PN6 NW65 (or ASME B16.5-2") at 240 mm distance from 10 mm hole